



Royal Industrial Suppliers

Quality Fasteners Specialist

No. 4, M.G.S. Complex, Benki Nawab Street, S.P. Road Cross, Bangalore 560002

An ISO 9001:2015 Certified Co



8310165941 / 9008782885



sales@royalfastenersindia.com



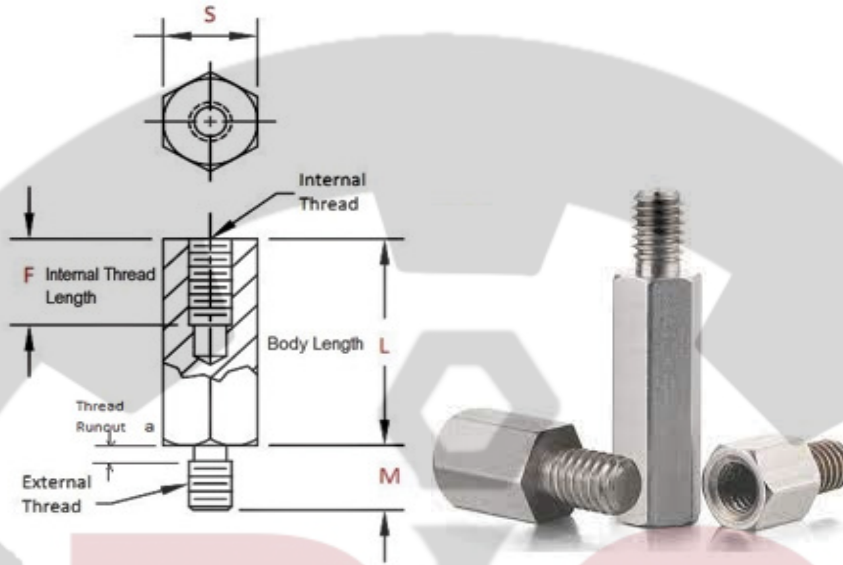
www.royalfastenersindia.com

HEX STANDOFF MF – (E.T. SPACER)

CATALOGUE NUMBER: **R3D55u**

UNIFIED

AISI 303



Parameter ↓	Size →	UNC 2-56	UNC 4-40	UNC 4-40 ALT	UNC 6-32	UNC 8-32	UNC 10-24
Ext Thread M		6.00	6.00	12.00	6.00	6.00	7.00
Across Flat S Max		5.00	5.00	5.00	5.00	6.00	7.00
Int Thread F	Max	10.00	10.00	11.00	11.00	11.00	
	Nom	L-1mm	L-1.5mm Max 8mm	L-1.5mm Max 8mm	L-1.5mm Max 8mm	L-1.5mm Max 10mm	

Note: Internal Thread Length will be approx 1.5mm lesser than body length.

Send your Orders / Enquiries along with the following Item Codes

All Dimensions are in MM

Length ↓	Size →	UNC 2-56	UNC 4-40	UNC 4-40 ALT	UNC 6-32	UNC 8-32	UNC 10-24
5		R3D55u25605	R3D55u44005	R3D55u44105			
6		R3D55u25606	R3D55u44006	R3D55u44106	R3D55u63206		
8		R3D55u25608	R3D55u44008	R3D55u44108	R3D55u63208	R3D55u83208	
10		R3D55u25610	R3D55u44010	R3D55u44110	R3D55u63210	R3D55u83210	R3D55u12410
12		R3D55u25612	R3D55u44012	R3D55u44112	R3D55u63212	R3D55u83212	R3D55u12412
15		R3D55u25615	R3D55u44015	R3D55u44115	R3D55u63215	R3D55u83215	R3D55u12415
20		R3D55u25620	R3D55u44020	R3D55u44120	R3D55u63220	R3D55u83220	R3D55u12420
25		R3D55u25625	R3D55u44025	R3D55u44125	R3D55u63225	R3D55u83225	R3D55u12425
30					R3D55u63230	R3D55u83230	R3D55u12430
35					R3D55u63235	R3D55u83235	R3D55u12435
40					R3D55u63240	R3D55u83240	R3D55u12440
45					R3D55u63245	R3D55u83245	R3D55u12445
50					R3D55u63250	R3D55u83250	R3D55u12450

Sizes in BLUE are non-preferred. Availability is limited and MOQ is higher.

Data is strictly informative

Note: All Austenitic Stainless Steel Fasteners may exhibit some Magnetic Properties due to the Manufacturing Process.

Refer: ISO 3506-2 Annex F